

Electric instantaneous water heaters

EPS2



IP25
A

Small in size, inexpensive to install, ideal for summer houses, offices or bars.

Application



EPS2 from 3,5kW



EPS2 5,5kW

Most important advantages

EPS2

Mixer tap included in the set

- nonpressure appliance
- a three-way tap include in the set

Fine-stream spray head

- comfortable use
- savings on water and energy up to 50%

Power switch

- the power switch in 5,5kW / 4,4kW

Supply cord

- connecting cord 1,2 m
- connection to the electrical terminal block

EPS2.P

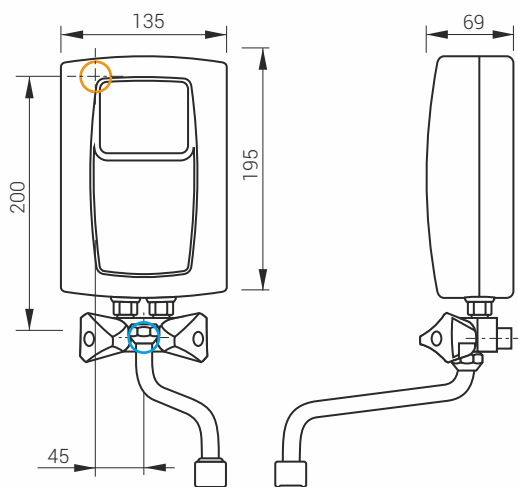
Fine-stream spray head

- comfortable use
- savings on water and energy up to 50%

Mixer tap included in the set

- nonpressure appliance
- three-way tap included in the set

Dimensions



Inlet and outlet section: 1/2"

 cold water inlet

 electric cable connection point

EPS2.P



IP25
A

Technical data

| Type | Rated power / Rated voltage | Supply water pressure (MPa) | Rated current (A) | Min. connecting wires section (mm ²) | Efficiency (Δt=30°) (l/min.) |
|------------|-----------------------------|-----------------------------|-------------------|--|------------------------------|
| EPS2-3,5 | 3,5 kW / 230V~ | 0,12 - 0,6 | 15,2 | 3 x 1,5 | 1,7 |
| EPS2-4,4 | 4,4 kW / 230V~ | 0,12 - 0,6 | 19,1 | 3 x 2,5 | 2,1 |
| EPS2-5,5 | 5,5 kW / 230V~ | 0,12 - 0,6 | 23,9 | 3 x 2,5 | 2,6 |
| EPS2.P-4,4 | 4,4 kW / 230V~ | 0,12 - 0,6 | 19,1 | 3 x 2,5 | 2,1 |
| EPS2.P-5,5 | 5,5 kW / 230V~ | 0,12 - 0,6 | 23,9 | 3 x 2,5 | 2,6 |