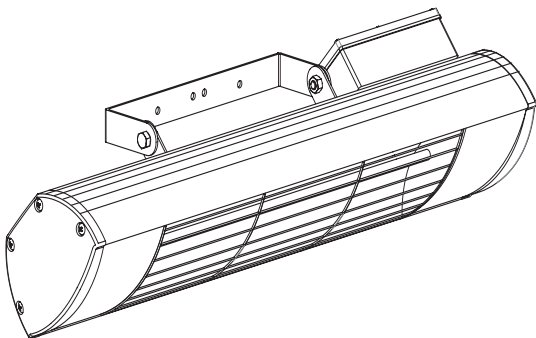




## *Infrared Heaters*



**IH 1,5**

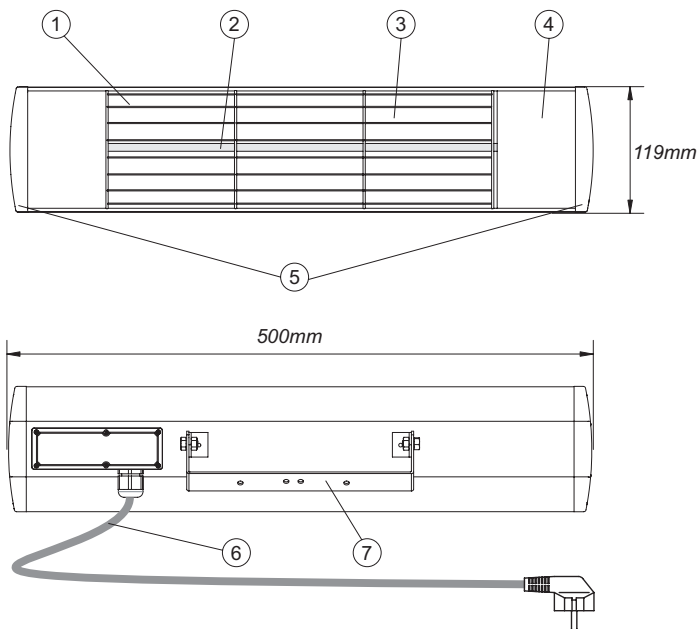
**IH 2,0**

*Assembly and operating manual*



*This appliance is not intended for use by persons (including children) with reduced physical, sensory, or mental capabilities or lack of experience and knowledge, unless they have been given supervision or instruction concerning use of the appliance by a person responsible for their safety. Children should be supervised to ensure that they do not play with the appliance.*

## Product components



1. Protective fence
2. Quartz lamp holders and quartz lamp
3. Reflector
4. Hard case
5. Side Caps
6. Electric cable
7. Wall hanger
8. Installation screws

## *Description*

According to Laws of Thermodynamics there are three types of heat transfers:

- conduction,
- convection,
- radiation.

The so-called ,radiant heaters' function using the radiant heat transfer principle. The radiant heaters act like the sun- they heat the objects that are exposed to them. With radiant heating objects and people are heated in a direct way, without heating up the air in-between. The air warms up afterwards, by the convection heat released from the people and objects.

GoldSun heaters belong to the category of ,low intensity' heaters. Each heater is equipped with a halogen electric lamp. The filament of these heaters' lamps reaches up to 1200°C within a second. Hence, pleasant feeling of warmth occurs immediately after switching the device on. These characteristics of infrared heaters guarantee effective and economic heating solution. Additionally, they are clean, odourless, silent, and environmentally friendly.

It is recommended to contact the authorised agents as to consult device's capacity and mounting place determination.

## *Safety instructions*

1. Read and strictly follow this installation and operating instructions to ensure a long life and reliable operation of the heater.
2. The unit can only be used when in perfect technical condition and correctly assembled.
3. Before device's installation read the installation instructions.
4. The device should not be used in the places where:
  - there are animals able to reach the heater,
  - there are explosives or flammable goods manufactured or stored.
5. Do not touch the lamp(s) with bare hands. If, however, the lamp gets dirty, follow the procedure described in ,Reflector's cleaning' section.
6. The device's set contains power supply cable with a grounding-type plug.
7. The manufacturer does not hold responsibility for damages caused by any deviations from the points described in this assembly and operating manual.
8. The heater does not have a switch button or any other regulating elements. The device turns on after plugging its cable to the electrical socket.

## Installation

Infrared heater set contains power supply cable with a grounding-type plug. Connection to the electrical installation does not require dismantling any of the device's elements.

1. Ensure that there are no flammable items (including power supply socket) within the distance of 1,25 m from the heater.
2. Attach device's hanger permanently.
3. Adjust the angle of the heater.

## Exploitation

Ensure that the installation of the heater has been carried out properly and that the electric current is not below or above permissible limits.

Installation carried out in accordance with this manual ensures a long life and reliable operation of the heater.

1. Disconnect the electric supply when the heater is not used.
2. Fluctuations within the electric voltage will reduce lamp's life span.
3. Each heater possesses a protective fence which prevents any undesired items from reaching the heating elements (e.g. electric cables etc.)
4. Do not use the heater when the protective fence is uninstalled. The protective fence does not fulfil safety function e.g. against children.
5. Do not place any items inside the heater and do not touch the lamp.
6. While in use- stay within at least 1.25 m distance from the heater.
7. Prolonged looking at the lamp may cause sight-damage. While the heater is on avoid looking at the lamp.
8. The device should be protected from vibrations and tremors even when switched off.
9. Do not cover the heater.
10. Make sure that items made out of flammable materials such as nylon, curtains etc. are within at least 1.25 m distance from the heater.
11. Make sure that children have no access to the heater.

### When the heater does not work

- do not attempt to fix the heater on one's own,
- disconnect the device from power supply,
- contact the closest authorised service.

## Reflector's cleaning

When it is necessary to clean the reflector, follow the procedure below:

- switch off electric power supply,
- ensure that the heater is cold,
- take off front protective fence,
- clean the reflector with a dry cloth,
- do not touch the lamp with bare hands during the cleaning procedure; however, if the lamp gets dirty, clean it with a soft cloth soaked in alcohol,
- re-install the front protective fence,
- turn electric power supply on.

## Heater's deactivation

In order to deactivate the heater follow procedure below:

- turn off the electric power supply,
- make sure that the heater is cold,
- while holding device's case, loosen the screws on both sides of heater's hanger (it is recommended to cooperate with another person during this procedure);
- if the hanger can be replaced from the wall- undo the screws and replace it,
- cover the heater with shock-absorbant material before packing,
- in case you need help with device's deactivation-contact closest authorised service.

## Technical data

Type		IH 1,5	IH 2,0
Rated power	W	1500	2000
Rated voltage	V	230V 1N~	
Rated current	A	6,52	8,69
Dimensions	mm	500 x 119 x 104	
Weight	kg	2,20	
Min. distance from the floor	mm	2,10	2,50
Degree of protection		IP55	



Used product can't be treated as general communal waste. Disassembled appliance has to be delivered to the collection point of electrical and electronic equipment for recycling. Appropriate utilisation of used product prevents potential negative environmental influences that may occur as a result of inappropriate handling of waste.

In order to get more detailed information about recycling this product you should contact the local government unit, waste management service or the shop where this product has been purchased.

